

# Data Sheet

## BLITZ Series **BLITZ TIPO** *Basic*



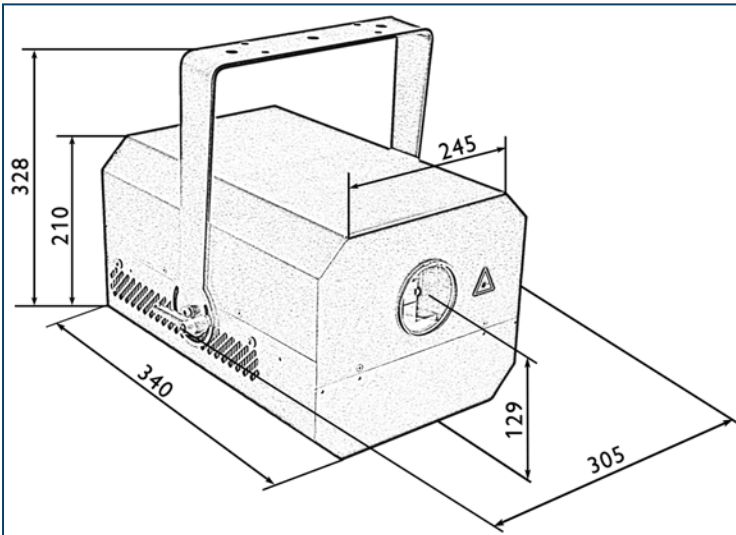
### FEATURES

- Competitive projector, the standard version is especially suited for in- and outdoor applications with little need for adjustment
- High-power DPSS laser inside - different wave lengths and output powers available on request
- Outstanding projection quality
- Guaranteed high reliability
- Simple operation
- As DMX controlled laser show projector available: The "TIPO" becomes a versatile laser show projector which is suitable for generating background patterns and beam effects with internal grating module (controllable by 5 DMX channels).

# Models

Name	BLITZ TIPO Basic 2	BLITZ TIPO Basic 3	BLITZ TIPO Basic 3	BLITZ TIPO Basic 5	BLITZ TIPO Basic 5	BLITZ TIPO Basic 8
Laser Output Power	2 Watt	3 Watt	3 Watt	5 Watt	5 Watt	8 Watt
Laser Wave Length	460nm blue	532nm green	577nm yellow	532nm green	577nm yellow	532nm green
DPSS Laser Type	Coherent Taipan®	JenLas®	Coherent Taipan®	Coherent Taipan® or JenLas®	Coherent Taipan®	Coherent Taipan®

# Technical Specifications



Dimensions	(L x W x H) 340 x 245 x 210mm (13.38 x 9.64 x 8.26in.) Height with yoke 328mm (12.91in.); Width with yoke approx. 305mm (12in.) Weight approx. 15kg (33lb)
Construction	Powder-coated steel plate, black
Installation	Hanging on truss (with C-clamps), on the wall or ceil or in upright position on a level stable platform or tripod
Temperatures	Recommended storage temperature +20 to 25°C (68 to 77°F) Maximum ambient temperature +50°C (122°F) Minimum ambient temperature +10°C (50°F)
Relative Humidity Limits	0-70% non-condensing
Power Supply	Processor controlled, electrical power consumption approx. 160W (normal operation)
Projection Unit	<ul style="list-style-type: none"> <li>- Set X,Y Scanner CT 6800HP including LaserAnimation's high-speed drivers and internal scanner safety circuit „ScannerSafety“ with adjustable scan fail window; Size and inversion of the projection and the borders of the scan fail function are adjustable on projectors rear</li> <li>- B+W antireflective coated laser emission window</li> </ul>
Cooling System	<ul style="list-style-type: none"> <li>- 2 thermoelectric coolers for the laser diode</li> <li>- 1 heat sink</li> <li>- 2 low-noise ventilators</li> </ul>
Connectors/Displays	<ul style="list-style-type: none"> <li>- AC power inlet 3-pong IEC male socket with fuse and On/Off switchMain voltages 90-132VAC, 180-264VAC, 47-63Hz, auto switch</li> <li>- Key switch for turning the laser on/off</li> <li>- LED „Laser on“</li> <li>- 7-pin XLR female Interlock</li> <li>- LED „Status“</li> <li>- ILDA-ISP DB25 male connector for modulation signal</li> <li>- Signal LEDs, inversion and size adjustment of the horizontal x- and the vertical y-signal, adjustment of the active window for the scanner safety control</li> <li>- 5-pin XLR female DMX Input (optional)</li> </ul>
Optional	<ul style="list-style-type: none"> <li>- Built-in grating module (previous to the scanners platziert) with Effect wheel 1: grid grating 1 (Grid WT), ultra fine line grating (Machado), special grid (Stargate) Effect wheel 2: grid grating 2 (Grid XT), line grating, Lumia effect</li> <li>- Integrated compact <i>Mark 2</i> controller</li> <li>- Waterproof stainless steel box for outdoor applications</li> <li>- BLITZ emergency shut-off unit</li> <li>- Flight Case</li> </ul>