

Data Sheet

BLITZ Series **BLIZZARD**



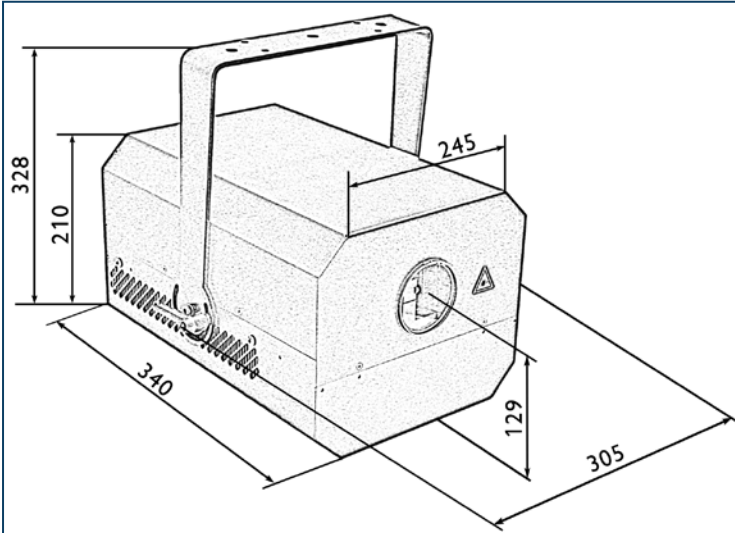
FEATURES

- Two DPSS lasers inside, wave lengths 460nm blue and 577nm yellow
- Brilliant projections in white, yellow and blue, especially outstanding white light projections
- Guaranteed high reliability
- Simple operation - the standard version is especially suited for applications with little need for adjustment indoor as well as outdoor
- As DMX controlled laser show projector available: The "BLIZZARD" becomes a versatile laser show projector which is suitable for generating background patterns and beam effects with internal grating module (controllable by 5 DMX channels).

Models

Name	BLIZZARD 5000 pure white		BLIZZARD 8000 golden white	
Output Power	3 Watt	2 Watt	5 Watt	2 Watt
Wave Length	577nm yellow	460nm blue	577nm yellow	460nm blue
DPSS Laser Type	Coherent Taipan®			

Technical Specifications



Dimensions	(L x W x H) 340 x 245 x 210mm (13.38 x 9.64 x 8.26in.); Height with yoke 328mm (12.91in.); Width with yoke approx. 305mm (12in.) approx. 20kg (44lb)
Construction	Powder-coated steel, black
Installation	Hanging on truss (with C-clamps), on the wall or ceil or upright on a level stable platform or tripod
Temperatures	Recommended storage temperature +20 to 25°C (68 to 77°F) Maximum ambient temperature +50°C (122°F) Minimum ambient temperature +10°C (50°F)
Relative Humidity Limits	0-70% non-condensing
Power Supply	Two processor controlled power supplies, each with an electrical power consumption of approx. 160W (normal operation)
Projection Unit	- Set X,Y Scanner CT 6800HP including LaserAnimation's high-speed drivers and internal scanner safety circuit „ScannerSafety“ with adjustable scan fail window; Size/inversion of the projection and the borders of the scan fail window are adjustable on projectors rear - B+W antireflective coated laser emission window
Cooling System	- 4 thermoelectric coolers for the laser diodes (Peltier elements) - 1 extensive heat sink - 2 low-noise ventilators
Connectors/Displays	- AC power inlet 3-pong IEC male socket with fuse and On/Off switchMain voltages 90-132VAC, 180-264VAC, 47-63Hz, auto switch - Key switch for turning the laser on/off - 2 LEDs laser emission displays - 2 pcs. 7-pin XLR female Interlock - 2 LEDs for displaying the operation states - ILDA-ISP DB25 connector for modulation signal - Signal LEDs, inversion and size adjustment of the horizontal x- and the vertical y-signal, adjustment of the active window for the scanner safety control - DMX Input 5-pin XLR female (optional)
Optional	- Built-in grating module (previous to the scanners platziert) with Effect wheel 1: grid grating 1 (Grid WT), ultra fine line grating (Machado), special grid (Stargate) Effect wheel 2: grid grating 2 (Grid XT), line grating, Lumia effect - Integrated compact <i>Mark 2</i> controller - Waterproof stainless steel box for outdoor applications - BLITZ emergency shut-off unit - Flight Case